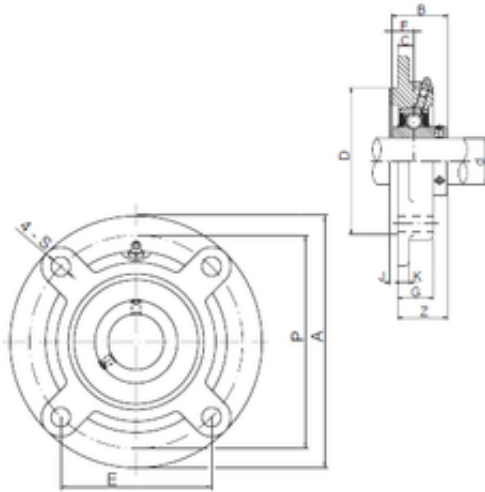




BEARING DRIVESHAFT, INC.

50 mm x 110 mm x 51,6 mm ISO UCFC210 bearing units



Bearing No. UCFC210

Bore Diameter	50 mm
d	50 mm
P	138 mm
Z	42,6 mm
A	165 mm
B	51,6 mm
C	10 mm
D	110 mm
E	97,6 mm
F	19 mm
G	28 mm
J	12 mm
K	14 mm
S	16 mm
Bolt (G)	M14

UCFC210 Bearing 2D drawings and 3D CAD models