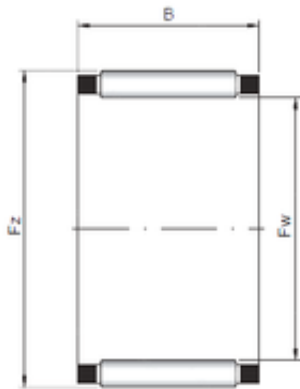




BEARING DRIVESHAFT, INC.

ISO K50x55x30 needle roller bearings



Bearing No. K50x55x30

Size	50x55x30 mm
Bore Diameter	50 mm
Outer Diameter	55 mm
Width	30 mm
Fw	50 mm
Ew	55 mm
B	30 mm

K50x55x30 Bearing 2D drawings and 3D CAD models