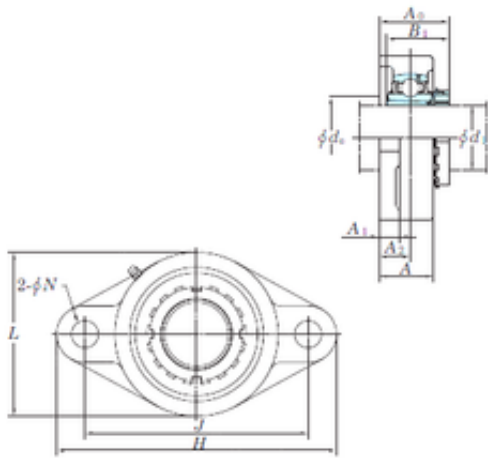




BEARING DRIVESHAFT, INC.

KOYO UKFLX08 bearing units

Bearing No. UKFLX08



UKFLX08 Bearing 2D drawings and 3D CAD models

Bore Diameter	35 mm
d	35 mm
A0	46,5 mm
d3	46 mm
A	40 mm
A1	14 mm
B1	46 mm
H	179 mm
J	148 mm
L	111 mm
N	16 mm
Bolt (G)	M14
A2	22 mm
Weight	2,1 Kg
Basic dynamic load rating (C)	34,1 kN
Basic static load rating (C0)	21,3 kN