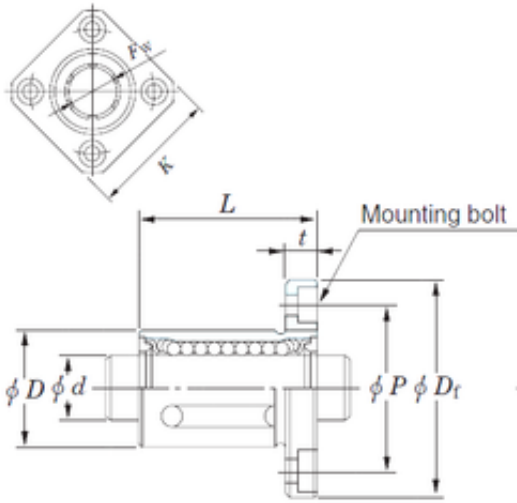




# BEARING DRIVESHAFT, INC.

## KOYO SDMK8 linear bearings

Bearing No. SDMK8



SDMK8 Bearing 2D drawings and 3D CAD models

Bore Diameter	8 mm
Outer Diameter	15 mm
Fw	8 mm
D	15 mm
P	24 mm
t	5 mm
D1	32 mm
K	25 mm
L	24 mm
Bolt (G)	M3
Weight	35 Kg
Basic dynamic load rating (C)	122 kN