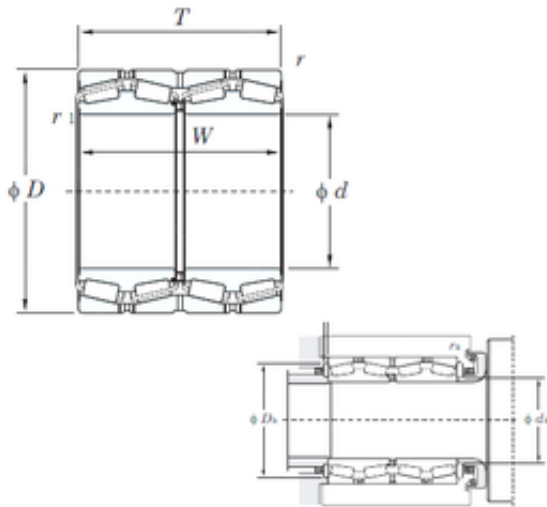




BEARING DRIVESHAFT, INC.



KOYO 47338 tapered roller bearings

Bearing No. 47338

Size	190x320x218 mm
Bore Diameter	190 mm
Outer Diameter	320 mm
Width	218 mm
d	190 mm
D	320 mm
T	218 mm
r min.	3 mm
r1 min.	4 mm
S	6 mm
W	218 mm
da min.	225.8 mm
Da min	284.7 mm
Da max.	306 mm
ra max.	2.5 mm
rb max.	3 mm
Weight	69.5 Kg
Basic dynamic load rating (C)	1800 kN
Basic static load rating (C0)	3170 kN
Calculation factor (e)	1.95
Calculation factor (Y0)	0.35

47338 Bearing 2D drawings and 3D CAD models