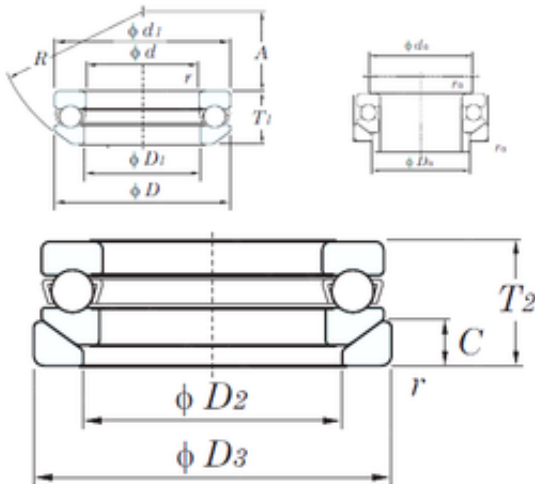




# BEARING DRIVESHAFT, INC.

## KOYO 53316U thrust ball bearings

Bearing No. 53316U



53316U Bearing 2D drawings and 3D CAD models

Size	80x140x47.6 mm
Bore Diameter	80 mm
Outer Diameter	140 mm
Width	47,6 mm
d	80 mm
D	140 mm
T1	47,6 mm
T2	52 mm
d1	140 mm
r min.	1,5 mm
A	50 mm
C	15 mm
D1	82 mm
D2	110 mm
D3	145 mm
R	112 mm
da min.	116 mm
Da max.	104 mm
ra max.	1,5 mm
Weight	3,43 Kg
Basic dynamic load rating (C)	160 kN
Basic static load rating (C0)	368 kN
(Grease) Lubrication Speed	1200 r/min
Bearing No.	53316U
T	52
r(min)	1.5



## BEARING DRIVESHAFT, INC.

Ca	200
Coa	368
Cu	15.8
Grease lub.	1200
Oil lub.	1800
d1(max)	140
D1(min)	82
D2(min)	110
D3(min)	145
da(min)	116
Da(max)	104
ra(max)	1.5
(Refer.) Mass(kg)	3.43