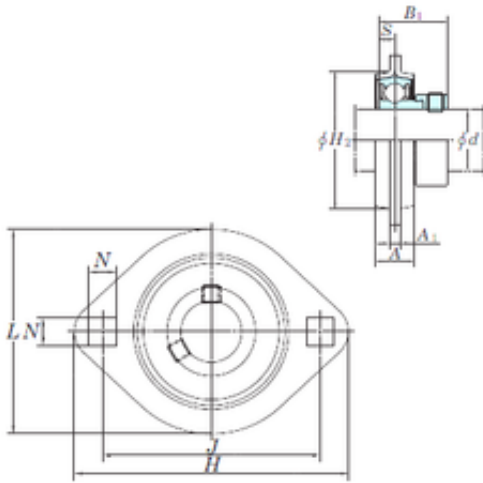




BEARING DRIVESHAFT, INC.

KOYO SAPFL204 bearing units

Bearing No. SAPFL204



SAPFL204 Bearing 2D drawings and 3D CAD models

Bore Diameter	20 mm
Width	29,5 mm
d	20 mm
A	16 mm
A1	4 mm
B	29,5 mm
H	90 mm
H2	55 mm
J	71,5 mm
L	67 mm
N	9 mm
S	7 mm
Bolt (G)	M8
Weight	0,24 Kg
Basic dynamic load rating (C)	12,8 kN
Basic static load rating (C0)	6,65 kN