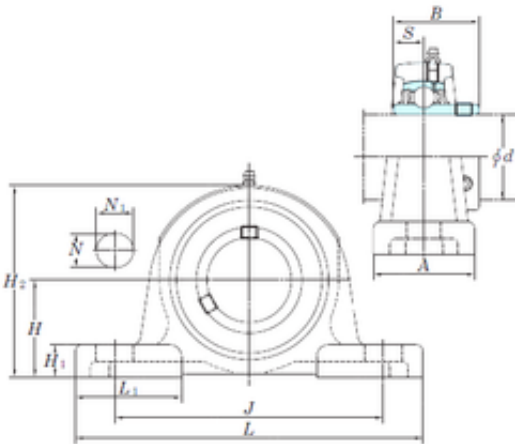




# BEARING DRIVESHAFT, INC.

## KOYO UCP316 bearing units

Bearing No. UCP316



UCP316 Bearing 2D drawings and 3D CAD models

Bore Diameter	80 mm
Width	86 mm
d	80 mm
A	110 mm
B	86 mm
H	106 mm
H1	35 mm
H2	209 mm
J	300 mm
L	400 mm
L1	120 mm
N	27 mm
N1	40 mm
S	34 mm
Bolt (G)	M22
Weight	18,5 Kg
Basic dynamic load rating (C)	123 kN
Basic static load rating (C0)	86,7 kN
Bearing No.	UCP316
Bolt size	M22
Cr	123
C0r	86.7
f0	13.3
(Refer.) Unit mass(kg)	18.5
Nipple size	R1/8