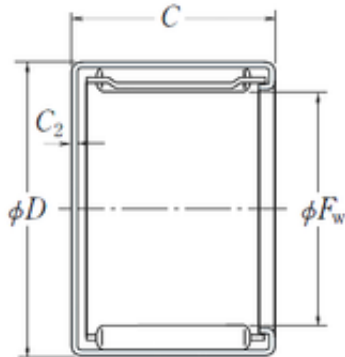




BEARING DRIVESHAFT, INC.

NSK MFJH-1010 needle roller bearings



Bearing No. MFJH-1010

| | |
|-------------------------------|-------------|
| Size | 10x16x10 mm |
| Bore Diameter | 10 mm |
| Outer Diameter | 16 mm |
| Width | 10 mm |
| Fw | 10 mm |
| D | 16 mm |
| C | 10 mm |
| C1 | 1 mm |
| Weight | 0,0066 Kg |
| Basic dynamic load rating (C) | 4900 kN |
| (Grease) Lubrication Speed | 22000 r/min |
| NB-DI | 0 |
| NA-DEX | 0 |
| hidYobi | MFJH-1010 |
| LangID | 1 |
| D_ | 16 |
| NC-SLR | 0 |
| B_ | 10.5 |
| n_yobi | FIR-071010 |
| hidTable | ecat_NSDCNR |
| d1 | 7 |
| GRS rpm | 22000 |
| ra | 0.3 |
| NC-SLR1 | 0 |
| C0 | 4.353 |
| Prod_Type3 | NRB_DC_FJ- |

MFJH-1010 Bearing 2D drawings and 3D CAD models



BEARING DRIVESHAFT, INC.

| | MFJ_WC_CT |
|---------|-----------|
| da | 9 |
| d | 7 |
| NC-RAC | 0 |
| Pmax | 2100 |
| N-SDM | 0 |
| yobi | MFJH-1010 |
| C1_C2 | 1 |
| ND-Z | 0 |
| OIL rpm | 34000 |
| NC-DA | 0 |
| mass_i | 6.6 |
| NC-KMS | 0 |
| B1 | 10.5 |