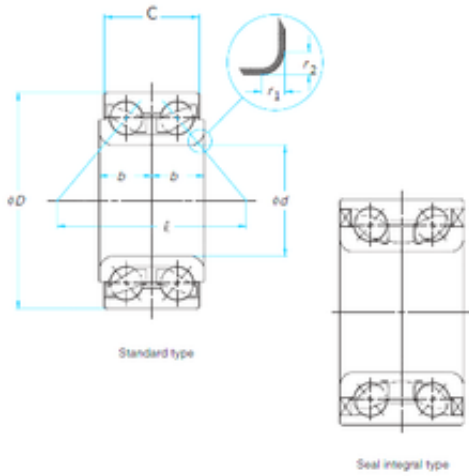




BEARING DRIVESHAFT, INC.



25 mm x 52 mm x 42 mm NSK 25BWD01
angular contact ball bearings

Bearing No. 25BWD01

Size	25x52x42 mm
Bore Diameter	25 mm
Outer Diameter	52 mm
Width	42 mm
d	25 mm
D	52 mm
B	42 mm
C	42 mm
b	21 mm
r1 min.	2,6 mm
r2 min.	2,6 mm
	52 Tolerance h14
Weight	0,36 Kg
Basic dynamic load rating (C)	28,5 kN
Basic static load rating (C0)	21,4 kN

25BWD01 Bearing 2D drawings and 3D CAD models