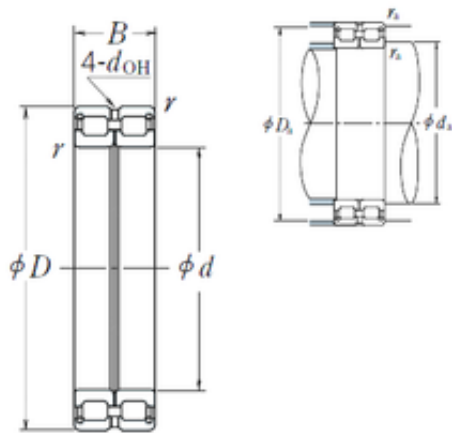




BEARING DRIVESHAFT, INC.

260 mm x 360 mm x 100 mm NSK RS-4952E4
cylindrical roller bearings



Bearing No. RS-4952E4

RS-4952E4 Bearing 2D drawings and 3D CAD models

Size	260x360x100 mm
Bore Diameter	260 mm
Outer Diameter	360 mm
Width	100 mm
d	260 mm
D	360 mm
B	100 mm
C	100 mm
r min.	2,1 mm
da min.	271 mm
Da max.	349 mm
ra max.	2 mm
Weight	32 Kg
Basic dynamic load rating (C)	1050 kN
Basic static load rating (C0)	2530 kN
(Grease) Lubrication Speed	360 r/min
hidYobi	RS-4952E4
LangID	1
D_	360
B_	100
hidTable	ecat_NSCLDRS
Oil rpm	360
mass	32
GRS rpm	710
ra	2



BEARING DRIVESHAFT, INC.

da_min	271
C0	2530
DE_	331.5
Prod_Type3	CRB_FRFS_OT_FIX
DA_	22
Z_	44
yobi	RS-4952E4
da_max	349
SDM_	309.5
r	2.1
KBRG	4220
disp	6
DI_	287.5
doh	8