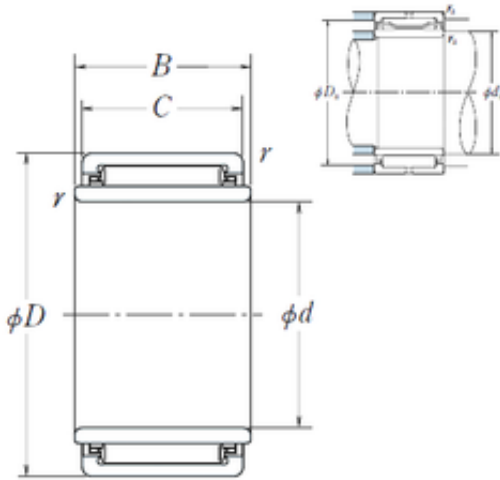




BEARING DRIVESHAFT, INC.

15 mm x 27 mm x 20,2 mm NSK LM2020
needle roller bearings

Bearing No. LM2020



LM2020 Bearing 2D drawings and 3D CAD models

Size	15x27x20.2 mm
Bore Diameter	15 mm
Outer Diameter	27 mm
Width	20,2 mm
d	15 mm
Fw	20 mm
D	27 mm
B	20,2 mm
C	20 mm
r min.	0,5 mm
da min.	19 mm
Da max.	23 mm
ra max.	0,5 mm
Weight	0,049 Kg
Basic dynamic load rating (C)	16,4 kN
Basic static load rating (C0)	23,2 kN
(Grease) Lubrication Speed	11000 r/min
hidYobi	LM2020
LangID	1
D_	27
B_	20.2
hidTable	ecat_NSMRNR
GRS rpm	11000
ra	0.5
da_min	19



BEARING DRIVESHAFT, INC.

d2	15
C0	23.2
C1_	20
DE_	25
SLR	15.8
Prod_Type3	NRB_S_LM
DA_	2.5
Z_	16
SI	20
yobi	LM2020
da_max	23
OIL rpm	18000
SDM_	22.5
r	0.5
KBRG	8352
mass2	0.049
B1	20.2