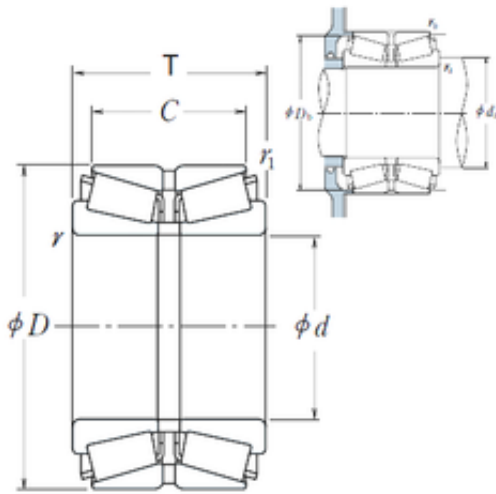




BEARING DRIVESHAFT, INC.

NSK 200KBE31+L tapered roller bearings



Bearing No. 200KBE31+L

Size	200x340x112 mm
Bore Diameter	200 mm
Outer Diameter	340 mm
Width	112 mm
d	200 mm
D	340 mm
T	112 mm
C	100 mm
r min.	4 mm
r1 min.	1,5 mm
da min.	221 mm
Db min.	321 mm
ra max.	3 mm
rb max.	1,5 mm
Weight	38,8 Kg
Basic dynamic load rating (C)	940 kN
Basic static load rating (C0)	1670 kN
(Grease) Lubrication Speed	800 r/min
(Oil) Lubrication Speed	1000 r/min
Calculation factor (e)	0,4
Calculation factor (Y0)	1,6
Calculation factor (Y2)	2,5

200KBE31+L Bearing 2D drawings and 3D CAD models