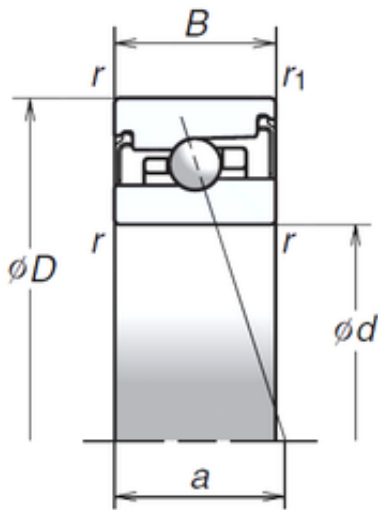




BEARING DRIVESHAFT, INC.



50 mm x 80 mm x 19 mm NSK 50BER20HV1V
angular contact ball bearings

Bearing No. 50BER20HV1V

Size	50x80x19 mm
Bore Diameter	50 mm
Outer Diameter	80 mm
Width	19 mm
d	50 mm
D	80 mm
B	19 mm
C	19 mm
Angle (°)	25 °
a	24,7 mm
r min.	1 mm
r1 min.	0,6 mm
Weight	0,315 Kg
Basic dynamic load rating (C)	11,6 kN
Basic static load rating (C0)	9,5 kN
(Grease) Lubrication Speed	24 700 r/min

50BER20HV1V Bearing 2D drawings and 3D CAD models