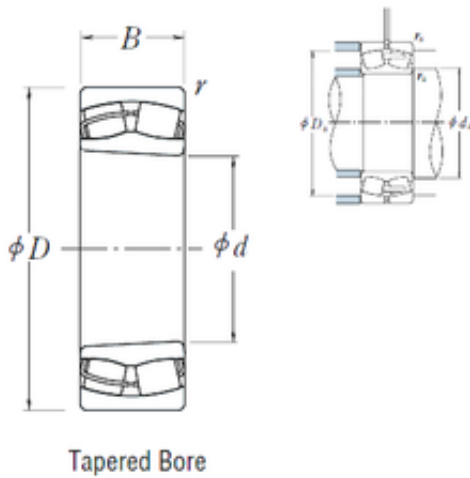




BEARING DRIVESHAFT, INC.



140 mm x 250 mm x 88 mm NSK 23228CKE4 spherical roller bearings

Bearing No. 23228CKE4

23228CKE4 Bearing 2D drawings and 3D CAD models

Size	140x250x88 mm
Bore Diameter	140 mm
Outer Diameter	250 mm
Width	88 mm
d	140 mm
D	250 mm
B	88 mm
C	88 mm
r min.	3 mm
da min.	154 mm
da max	163 mm
Da min	213 mm
Da max.	236 mm
ra max.	2,5 mm
Weight	18,8 Kg
Basic dynamic load rating (C)	835 kN
Basic static load rating (C0)	1300 kN
(Grease) Lubrication Speed	1100 r/min
(Oil) Lubrication Speed	1500 r/min
Calculation factor (e)	0,35
Calculation factor (Y0)	1,9
Calculation factor (Y2)	2,9
Category	Spherical Roller Bearings
Inventory	0.0
Manufacturer Name	NSK



BEARING DRIVESHAFT, INC.

Minimum Buy Quantity	N/A
Weight / Kilogram	18.73
Product Group	B04311
Internal Clearance	C0-Medium
Mounting Method	Adapter Mount
Rolling Element	Spherical Roller Bearing
Bore Profile	Tapered
Cage Material	Steel
Enclosure	Open
Number of Rows of Rollers	Double Row
Relubricatable	Yes
Withdrawal Sleeve	AH3228 (Specify bore)
Inch - Metric	Metric
Long Description	140MM Tapered Bore; 250MM Outside Diameter; 88MM Width; C0-Medium Clearance; Adapter Mount; Double Row of Spherical Roller Bearings; Steel Cage Material; Open Enclosure; Relubricatable; Adapter Part N
Other Features	Order adapter or withdrawal sleeve or nut separately. Others may be available
Category	Spherical Roller Bearing
UNSPSC	31171510
Harmonized Tariff Code	84823080
Noun	Bearing
Keyword String	Spherical
Manufacturer URL	http://www.nskamericas.com
Manufacturer Item Number	23228CKE4
Weight / LBS	18.73
Adapter Part Number	SNW128 H2328 HA2328



BEARING DRIVESHAFT, INC.

	HE2328 (Specify Bore) Inch H2328 (Specify bore) Millimeter
Bore	5.512 Inch 140 Millimeter
Width	3.465 Inch 88 Millimeter
Outside Diameter	9.843 Inch 250 Millimeter
bore diameter:	140 mm
outer ring type:	Not Split
outside diameter:	250 mm
internal clearance:	C0
overall width:	88 mm
lubrication hole type:	Oil Grooves And Holes In Outer Ring
bore type:	Tapered 1:12
cage material:	Bronze
Y3	1.9
hidYobi	23228CKE4
LangID	1
Y1	1.9
D_	250
Y2	2.9
Macha rpm	0
B_	88
da min	154
hidTable	ecat_NSSPHR
Oil rpm	1500
Y0	1.9
mass	18.8
GRS rpm	1100
ra	2.5
TSR rpm	1800
C0	1300
DE_	223.131



BEARING DRIVESHAFT, INC.

X0	1
Prod_Type3	SRB_CTB_TB
X1	1
X2	0.67
SIR	35
e	0.35
DA_	27.5
bomp	23228CKE4
Z_	19
ALP2	0
ALP1	13
ALP3	0
D_a max	236
D_a min	213
yobi	23228CKE4
ALPHA_	0.227
SDM_	196.336
r	3
KBRG	2322
SBRG	32
DI_	169.54