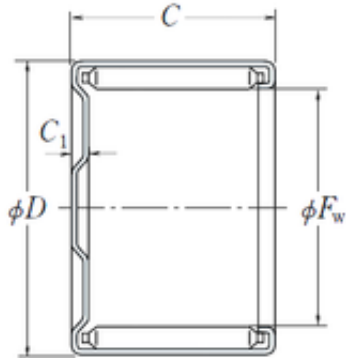




BEARING DRIVESHAFT, INC.

NSK MF-1612 needle roller bearings



Bearing No. MF-1612

Size	16x22x12 mm
Bore Diameter	16 mm
Outer Diameter	22 mm
Width	12 mm
Fw	16 mm
D	22 mm
C	12 mm
C1	2,2 mm
Weight	0,015 Kg
Basic dynamic load rating (C)	10,2 kN
(Grease) Lubrication Speed	3400 r/min
NB-DI	0
NA-DEX	0
hidYobi	MF-1612
LangID	1
D_	22
NC-SLR	0
B_	12.5
n_yobi	FIR-121612
hidTable	ecat_NSDCNR
d1	12
GRS rpm	3400
ra	0.3
NC-SLR1	0
C0	16.053
Prod_Type3	NRB_DC_F-MF_FC_CT

MF-1612 Bearing 2D drawings and 3D CAD models



BEARING DRIVESHAFT, INC.

da	14
d	12
NC-RAC	0
Pmax	7100
N-SDM	0
yobi	MF-1612
C1_C2	2.2
ND-Z	0
OIL rpm	5300
NC-DA	0
mass_i	15
NC-KMS	0
B1	12.5