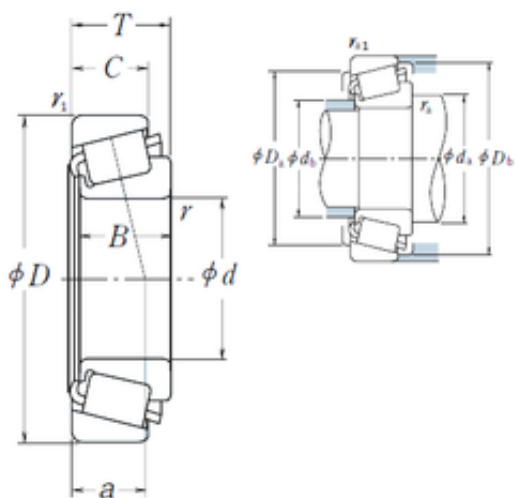




## BEARING DRIVESHAFT, INC.

88,9 mm x 190,5 mm x 57,531 mm NSK  
HH221434/HH221410 tapered roller bearings

Bearing No. HH221434/HH221410



HH221434/HH221410 Bearing 2D drawings and 3D CAD models

Size	88.9x190.5x57.15 mm
Bore Diameter	88,9 mm
Outer Diameter	190,5 mm
Width	57,15 mm
d	88,9 mm
D	190,5 mm
T	57,15 mm
B	57,531 mm
C	46,038 mm
ra1 max.	3,3 mm
a	42,3 mm
r min.	8 mm
r1 min.	3,3 mm
Da	171 mm
db	105 mm
ra max.	8 mm
da	120 mm
Db	179 mm
Weight	7,65 Kg
Basic dynamic load rating (C)	390 kN
Basic static load rating (C0)	520 kN
(Grease) Lubrication Speed	1900 r/min
(Oil) Lubrication Speed	2600 r/min
Calculation factor (e)	0,33
Calculation factor (Y0)	0,99



## BEARING DRIVESHAFT, INC.

LangID	1
ALP23	0
outer r	3.3
ALP22	10
D_	190.5
ALP21	25
SHOG_yobi	HH221434/HH221410
RAr	408.178
inner r	8
GRS rpm	1900
D_b	179
D_a	171
DE_	168.277
SLR	43
Prod_Type3	TRBSR_ID_A
BETA_	1
ALPHA_	12.583
SDM_	145.354
DA1	24.929
DA2	22.314
hidYobi	HH221434/HH221410
Y1	1.8
B_	57.531
Oil rpm	2600
hidTable	ecat_NSTPRI
Y0	0.99
inner ra	8
outer rb	3.3
C0	520
CUP	2.24
e	0.33
DA_	23.628



## BEARING DRIVESHAFT, INC.

BET21	3
BET22	30
BET23	0
Z_	15
C_	46.038
yobi	HH221434/HH221410
KBRG	3161
CONE	5.41
DI_	121.995