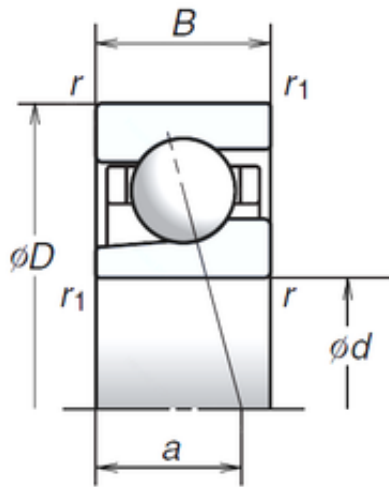




BEARING DRIVESHAFT, INC.



17 mm x 40 mm x 12 mm NSK 17BGR02X
angular contact ball bearings

Bearing No. 17BGR02X

Size	17x40x12 mm
Bore Diameter	17 mm
Outer Diameter	40 mm
Width	12 mm
d	17 mm
D	40 mm
B	12 mm
C	12 mm
Angle (°)	15 °
a	9,8 mm
r min.	0,6 mm
r1 min.	0,3 mm
Weight	0,057 Kg
Basic dynamic load rating (C)	7,25 kN
Basic static load rating (C0)	2,98 kN
(Grease) Lubrication Speed	77 200 r/min
(Oil) Lubrication Speed	106 000 r/min

17BGR02X Bearing 2D drawings and 3D CAD models