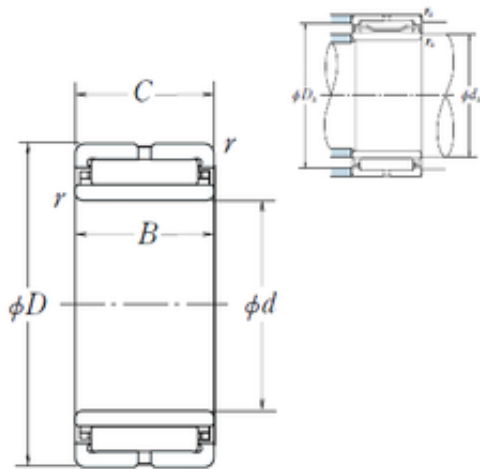




## BEARING DRIVESHAFT, INC.

20 mm x 37 mm x 17 mm NSK NA4904 needle roller bearings



Bearing No. NA4904

Size	20x37x17 mm
Bore Diameter	20 mm
Outer Diameter	37 mm
Width	17 mm
d	20 mm
Fw	25 mm
D	37 mm
B	17 mm
C	17 mm
r min.	0,3 mm
da min.	22 mm
Da max.	35 mm
ra max.	0,3 mm
Weight	0,077 Kg
Basic dynamic load rating (C)	19,7 kN
Basic static load rating (C0)	22,9 kN
(Grease) Lubrication Speed	11000 r/min
hidYobi	NA4904
LangID	1
D_	37
B_	17
hidTable	ecat_NSMRNR
GRS rpm	11000
ra	0.3
da_min	22

NA4904 Bearing 2D drawings and 3D CAD models



## BEARING DRIVESHAFT, INC.

d2	20
C0	22.9
C1_	17
DE_	33
SLR	11.8
Prod_Type3	NRB_S_NA
DA_	4
Z_	14
SI	25
yobi	NA4904
da_max	35
OIL rpm	18000
SDM_	29
r	0.3
KBRG	8353
mass2	0.077
B1	17