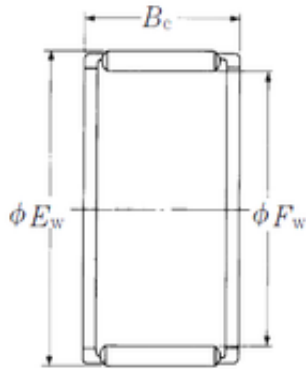




BEARING DRIVESHAFT, INC.

NSK FWF-162010 needle roller bearings



Bearing No. FWF-162010

Bore Diameter	16 mm
Outer Diameter	20 mm
Fw	16 mm
Ew	20 mm
Bc	10 mm
Weight	0,0046 Kg
Basic dynamic load rating (C)	7,35 kN
Basic static load rating (C0)	9 kN
(Grease) Lubrication Speed	17000 r/min
hidYobi	FWF-162010
LangID	1
Prod_Type3	NRB_CNRA_FWF-FWJ
d	16
D_	20
DA_	2
Z_	16
C	7.35
B_	10
hidTable	ecat_NSCRA
yobi	FWF-162010
mass	4.6
GRS rpm	17000
OIL rpm	26000
SDM_	18
KBRG	8113
C0	9

FWF-162010 Bearing 2D drawings and 3D CAD models



BEARING DRIVESHAFT, INC.

SLR	7.8
-----	-----