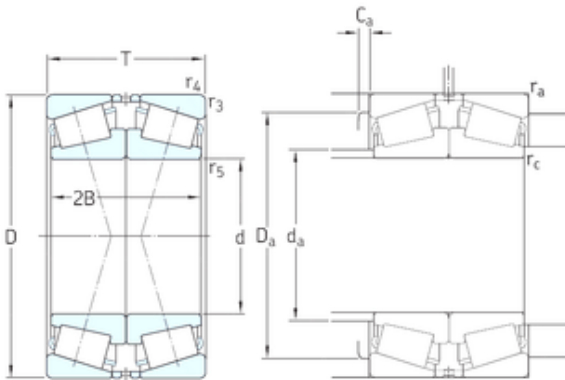




BEARING DRIVESHAFT, INC.

200 mm x 360 mm x 98 mm SKF 32240J2/DF tapered roller bearings

Bearing No. 32240J2/DF



32240J2/DF Bearing 2D drawings and 3D CAD models

Size	200x360x208 mm
Bore Diameter	200 mm
Outer Diameter	360 mm
Width	208 mm
d	200 mm
D	360 mm
T	208 mm
B	98 mm
r3 min.	4 mm
r4 min.	4 mm
r5 min.	1 mm
2B	196 mm
Ca max.	11 mm
da max	231 mm
Da min	302 mm
Da max.	343 mm
ra max.	3 mm
rc max.	1 mm
Weight	88 Kg
Basic dynamic load rating (C)	2090 kN
Basic static load rating (C0)	4000 kN
Fatigue load limit (Pu)	360
Reference speed	1000 r/min
Limiting speed	1700 r/min
Calculation factor (e)	0,4



BEARING DRIVESHAFT, INC.

Calculation factor (Y0)	1,6
Calculation factor (Y1)	1,7