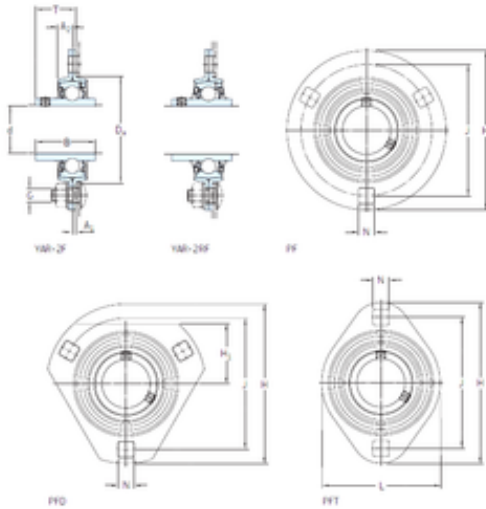




# BEARING DRIVESHAFT, INC.



PF 30 RM Bearing 2D drawings and 3D CAD models

## SKF PF 30 RM bearing units

Bearing No. PF 30 RM

Bore Diameter	30 mm
Width	30,2 mm
d	30 mm
Da	71 mm
A1	2,5 mm
B	30,2 mm
G	10 mm
H	112 mm
H1	– mm
J	90,5 mm
L	–
N	10,5 mm
T	23,5 mm
A2	9,5 mm
Weight	0,53 Kg
Basic dynamic load rating (C)	19,5 kN
Basic static load rating (C0)	11,2 kN
Housing material	Pressed steel
A <sub>1</sub>	2.5 mm
A <sub>2</sub>	9.5 mm
B <sub>4</sub>	5 mm
D <sub>a</sub> min.	67 mm
s <sub>1</sub>	21 mm
Basic dynamic load rating C	19.5 kN
Basic static load rating C <sub>0</sub>	11.2 kN
Fatigue load limit P <sub>u</sub>	0.475 kN



## BEARING DRIVESHAFT, INC.

Permissible radial housing load max.	5 kN
Mass unit	0.53 kg
Thread grub screw $G_2$	M6x0.75
Hexagonal key size for grub screw N	3 mm
Recommended tightening torque for grub screw	4 N · m
Recommended diameter for attachment bolts, mm G	10 mm
Recommended diameter for attachment bolts, inch G	0.375 in