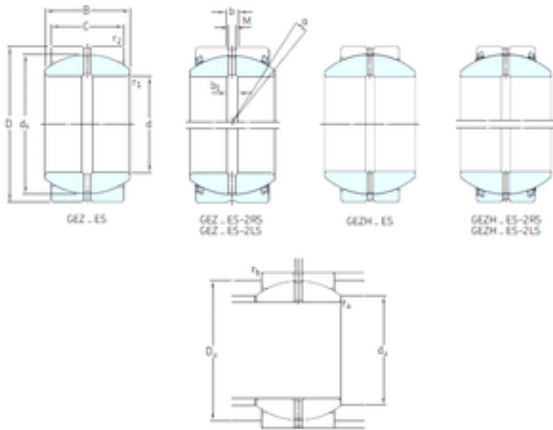




# BEARING DRIVESHAFT, INC.



44,45 mm x 71,438 mm x 38,89 mm SKF  
GEZ112ES plain bearings

Bearing No. GEZ112ES

GEZ112ES Bearing 2D drawings and 3D CAD models

Size	44.45x71.438x38.89 mm
Bore Diameter	44,45 mm
Outer Diameter	71,438 mm
Width	38,89 mm
d	44,45 mm
D	71,438 mm
B	38,89 mm
C	33,33 mm
b	4,8 mm
b1	5 mm
dk	63,881 mm
r1 min.	0,6 mm
r2 min.	1 mm
M	4 mm
da min.	48,5 mm
da max	50,7 mm
Da min	60,7 mm
Da max.	67,4 mm
ra max.	0,6 mm
rb max.	1 mm
Angle	6 °
Weight	0,64 Kg
Basic dynamic load rating (C)	170 kN