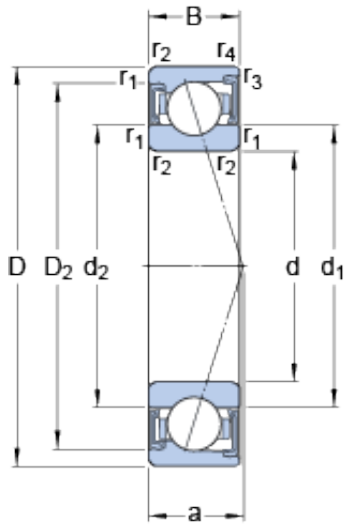




BEARING DRIVESHAFT, INC.



10 mm x 22 mm x 6 mm SKF S71900
ACD/HCP4A angular contact ball bearings

Bearing No. S71900 ACD/HCP4A

S71900 ACD/HCP4A Bearing 2D drawings and 3D
CAD models

| | |
|---|------------|
| Size | 22x10x6 mm |
| Bore Diameter | 22 mm |
| Outer Diameter | 10 mm |
| Width | 6 mm |
| d | 10 mm |
| D | 22 mm |
| B | 6 mm |
| d ₁ | 14 mm |
| d ₂ | 14 mm |
| D ₂ | 19.8 mm |
| r _{1,2} - min. | 0.3 mm |
| r _{3,4} - min. | 0.2 mm |
| a | 6.8 mm |
| d _a - min. | 12 mm |
| d _a - max. | 13.6 mm |
| d _b - min. | 12 mm |
| d _b - max. | 13.6 mm |
| D _a - max. | 20 mm |
| D _b - max. | 20.6 mm |
| r _a - max. | 0.3 mm |
| r _b - max. | 0.2 mm |
| Basic dynamic load rating - C | 2.4 kN |
| Basic static load rating - C ₀ | 1.1 kN |
| Fatigue load limit - P _u | 0.045 kN |



BEARING DRIVESHAFT, INC.

| | |
|---------------------------------------|-------------|
| Limiting speed for grease lubrication | 70000 r/min |
| Ball - D_w | 3.175 mm |
| Ball - z | 12 |
| Calculation factor - e | 0.68 |
| Calculation factor - Y_2 | 0.87 |
| Calculation factor - Y_0 | 0.38 |
| Calculation factor - X_2 | 0.41 |
| Calculation factor - Y_1 | 0.92 |
| Calculation factor - Y_2 | 1.41 |
| Calculation factor - Y_0 | 0.76 |
| Calculation factor - X_2 | 0.67 |
| Preload class A - G_A | 15 N |
| Preload class B - G_B | 30 N |
| Preload class C - G_C | 60 N |
| Preload class D - G_D | 120 N |
| Calculation factor - f | 1.03 |
| Calculation factor - f_1 | 0.98 |
| Calculation factor - f_{2A} | 1 |
| Calculation factor - f_{2B} | 1.07 |
| Calculation factor - f_{2C} | 1.12 |
| Calculation factor - f_{2D} | 1.17 |
| Calculation factor - f_{HC} | 1.04 |
| Preload class A | 32 N/micron |
| Preload class B | 42 N/micron |
| Preload class C | 54 N/micron |
| Preload class D | 72 N/micron |
| d_1 | 14 mm |
| d_2 | 14 mm |
| D_2 | 19.8 mm |



BEARING DRIVESHAFT, INC.

| | |
|---|---------------|
| $r_{1,2}$ min. | 0.3 mm |
| $r_{3,4}$ min. | 0.2 mm |
| d_a min. | 12 mm |
| d_a max. | 13.6 mm |
| d_b min. | 12 mm |
| d_b max. | 13.6 mm |
| D_a max. | 20 mm |
| D_b max. | 20.6 mm |
| r_a max. | 0.3 mm |
| r_b max. | 0.2 mm |
| Basic dynamic load rating C | 2.42 kN |
| Basic static load rating C_0 | 1.06 kN |
| Fatigue load limit P_u | 0.045 kN |
| Attainable speed for grease lubrication | 70000 r/min |
| Ball diameter D_w | 3.175 mm |
| Number of balls z | 12 |
| Preload class A G_A | 15 N |
| Static axial stiffness, preload class A | 32 N/ μ m |
| Preload class B G_B | 30 N |
| Static axial stiffness, preload class B | 42 N/ μ m |
| Preload class C G_C | 60 N |
| Static axial stiffness, preload class C | 54 N/ μ m |
| Preload class D G_D | 120 N |
| Static axial stiffness, preload class D | 72 N/ μ m |
| Calculation factor f | 1.03 |
| Calculation factor f_1 | 0.98 |
| Calculation factor f_{2A} | 1 |
| Calculation factor f_{2B} | 1.07 |
| Calculation factor f_{2C} | 1.12 |



BEARING DRIVESHAFT, INC.

| | |
|---|----------|
| Calculation factor f_{2D} | 1.17 |
| Calculation factor f_{HC} | 1.04 |
| Calculation factor e | 0.68 |
| Calculation factor (single, tandem) Y_2 | 0.87 |
| Calculation factor (single, tandem) Y_0 | 0.38 |
| Calculation factor (single, tandem) X_2 | 0.41 |
| Calculation factor (back-to-back, face-to-face) Y_1 | 0.92 |
| Calculation factor (back-to-back, face-to-face) Y_2 | 1.41 |
| Calculation factor (back-to-back, face-to-face) Y_0 | 0.76 |
| Calculation factor (back-to-back, face-to-face) X_2 | 0.67 |
| Mass bearing | 0.009 kg |