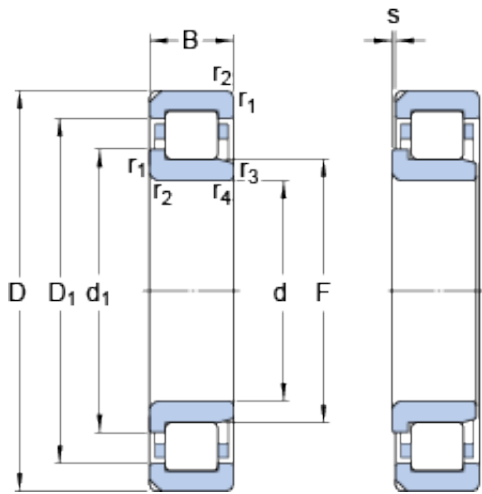




# BEARING DRIVESHAFT, INC.



## 75 mm x 160 mm x 55 mm SKF NJ 2315 ECN2ML thrust ball bearings

Bearing No. NJ 2315 ECN2ML

NJ 2315 ECN2ML Bearing 2D drawings and 3D CAD models

|                                           |              |
|-------------------------------------------|--------------|
| Size                                      | 160x75x55 mm |
| Bore Diameter                             | 160 mm       |
| Outer Diameter                            | 75 mm        |
| Width                                     | 55 mm        |
| d                                         | 75 mm        |
| D                                         | 160 mm       |
| B                                         | 55 mm        |
| d <sub>1</sub>                            | 104 mm       |
| D <sub>1</sub>                            | 135.75 mm    |
| F                                         | 95 mm        |
| r <sub>1,2</sub> - min.                   | 2.1 mm       |
| r <sub>3,4</sub> - min.                   | 2.1 mm       |
| s                                         | 4.8 mm       |
| d <sub>a</sub> - min.                     | 87 mm        |
| d <sub>a</sub> - max.                     | 92 mm        |
| d <sub>b</sub> - min.                     | 107 mm       |
| D <sub>a</sub> - max.                     | 148 mm       |
| r <sub>a</sub> - max.                     | 2 mm         |
| Basic dynamic load rating - C             | 380 kN       |
| Basic static load rating - C <sub>0</sub> | 400 kN       |
| Fatigue load limit - P <sub>u</sub>       | 50 kN        |
| Reference speed                           | 4500 r/min   |
| Limiting speed                            | 5300 r/min   |
| Calculation factor - k <sub>r</sub>       | 0.38         |



## BEARING DRIVESHAFT, INC.

|                                |           |
|--------------------------------|-----------|
| $d_1$                          | 104 mm    |
| $D_1$                          | 135.75 mm |
| $b_1$                          | 6.5 mm    |
| $h$                            | 8.1 mm    |
| $r_{1,2}$ min.                 | 2.1 mm    |
| $r_{3,4}$ min.                 | 2.1 mm    |
| $s$ max.                       | 4.8 mm    |
| $d_a$ min.                     | 87 mm     |
| $d_a$ max.                     | 92 mm     |
| $d_b$ min.                     | 107 mm    |
| $D_a$ max.                     | 148 mm    |
| $r_a$ max.                     | 2 mm      |
| Basic dynamic load rating C    | 380 kN    |
| Basic static load rating $C_0$ | 400 kN    |
| Fatigue load limit $P_u$       | 50 kN     |
| Calculation factor $k_r$       | 0.38      |
| Limiting value e               | 0.3       |
| Axial load factor Y            | 0.4       |
| Mass bearing                   | 5.54 kg   |