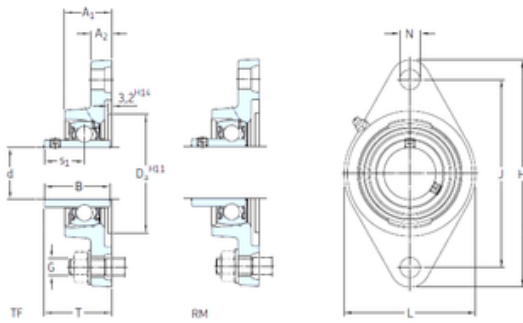




BEARING DRIVESHAFT, INC.



SKF FYT 1.3/16 TF bearing units

Bearing No. FYT 1.3/16 TF

Bore Diameter	30,163 mm
Width	38,1 mm
d	30,163 mm
s1	22,2 mm
A1	32,5 mm
B	38,1 mm
G	10 mm
H	141,5 mm
J	116,9 mm
L	83 mm
N	12,7 mm
T	42,2 mm
A2	13 mm
Weight	0,93 Kg
Basic dynamic load rating (C)	19,5 kN
Basic static load rating (C0)	11,2 kN
Fatigue load limit (Pu)	0,475
Category	Flange Block Bearings
Inventory	0.0
Manufacturer Name	SKF
Minimum Buy Quantity	N/A
Weight / Kilogram	0.911
Product Group	M06110
Number of Mounting Holes	2
Mounting Method	Set Screw
Housing Style	2 Bolt Flange Block

FYT 1.3/16 TF Bearing 2D drawings and 3D CAD models



BEARING DRIVESHAFT, INC.

Rolling Element	Ball Bearing
Housing Material	Cast Iron
Expansion / Non-expansion	Non-expansion
Mounting Bolts	7/16 Inch
Relubricatable	Yes
Insert Part Number	YAR 206-103-2F
Seals	M Seal
Housing Configuration	1 Piece Solid
Pilot Configuration	No Pilot
Inch - Metric	Inch
Long Description	2 Bolt Flange Block; 1-3/16" Bore; 4.6" Bolt Circle; 4-19/32" Bolt Spacing; 1 Piece Solid; Set Screw Mount; Cast Iron; Ball Bearing; 1-1/2" Length Thru Bore; Relubricatable; M Seal
Other Features	Single Row Standard Duty Wide Inner Race Open End Has Flinger Y Bearing
Category	Flange Block
UNSPSC	31171501
Harmonized Tariff Code	8483.20.40.40
Noun	Bearing
Keyword String	Flanged
Manufacturer URL	http://www.skf.com
Manufacturer Item Number	FYT 1.3/16 TF
Weight / LBS	2
Bolt Spacing	4.594 Inch 116.7 Millimeter
Nominal Bolt Circle Diameter Round	4.6 Inch 117 Millimeter
Cartridge Pilot Depth	0 Inch 0 Millimeter
Bore	1.188 Inch 30.175 Millimeter



BEARING DRIVESHAFT, INC.

Length Thru Bore	1.5 Inch 38.1 Millimeter
Cartridge Pilot Diameter	0 Inch 0 Millimeter