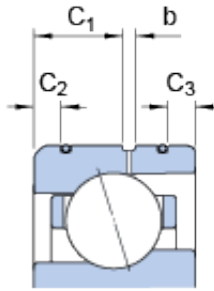
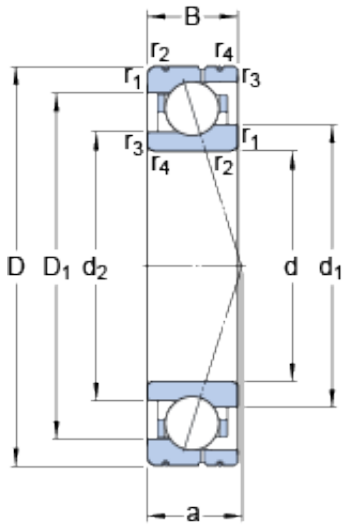




BEARING DRIVESHAFT, INC.



95 mm x 130 mm x 18 mm SKF 71919
ACE/HCP4AL angular contact ball bearings

Bearing No. 71919 ACE/HCP4AL

71919 ACE/HCP4AL Bearing 2D drawings and 3D
CAD models

Size	130x95x18 mm
Bore Diameter	130 mm
Outer Diameter	95 mm
Width	18 mm
d	95 mm
D	130 mm
B	18 mm
d ₁	106 mm
d ₂	102.9 mm
D ₁	119.22 mm
b	2.6 mm
C ₁	9.3 mm
C ₂	3 mm
C ₃	3 mm
r _{1,2} - min.	1.1 mm
r _{3,4} - min.	0.6 mm
a	37.1 mm
d _a - min.	101 mm
d _b - min.	98.2 mm
D _a - max.	124 mm
D _b - max.	126.8 mm
r _a - max.	1 mm
r _b - max.	0.6 mm
d _n	108.5 mm



BEARING DRIVESHAFT, INC.

Basic dynamic load rating - C	29.1 kN
Basic static load rating - C_0	24 kN
Fatigue load limit - P_u	0.93 kN
Limiting speed for grease lubrication	15000 r/min
Limiting speed for oil lubrication	23000 mm/min
Ball - D_w	11.112 mm
Ball - z	25
G_{ref}	7.3 cm ³
Calculation factor - e	0.68
Calculation factor - Y_2	0.87
Calculation factor - Y_0	0.38
Calculation factor - X_2	0.41
Calculation factor - Y_1	0.92
Calculation factor - Y_2	1.41
Calculation factor - Y_0	0.76
Calculation factor - X_2	0.67
Preload class A - G_A	265 N
Preload class B - G_B	795 N
Preload class C - G_C	1590 N
Calculation factor - f	1.18
Calculation factor - f_1	0.98
Calculation factor - f_{2A}	1
Calculation factor - f_{2B}	1.04
Calculation factor - f_{2C}	1.08
Calculation factor - f_{HC}	1.01
Preload class A	189 N/micron
Preload class B	285 N/micron



BEARING DRIVESHAFT, INC.

Preload class C	375 N/micron
d_1	106 mm
d_2	102.9 mm
D_1	119.22 mm
C_1	9.3 mm
C_2	3 mm
C_3	3 mm
$r_{1,2}$ min.	1.1 mm
$r_{3,4}$ min.	0.6 mm
d_a min.	101 mm
d_b min.	98.2 mm
D_a max.	124 mm
D_b max.	126.8 mm
r_a max.	1 mm
r_b max.	0.6 mm
d_n	108.5 mm
Basic dynamic load rating C	29.1 kN
Basic static load rating C_0	24 kN
Fatigue load limit P_u	0.93 kN
Attainable speed for grease lubrication	15000 r/min
Attainable speed for oil-air lubrication	23000 r/min
Ball diameter D_w	11.112 mm
Number of balls z	25
Reference grease quantity G_{ref}	7.3 cm ³
Preload class A G_A	265 N
Static axial stiffness, preload class A	189 N/ μ m
Preload class B G_B	795 N
Static axial stiffness, preload class B	285 N/ μ m
Preload class C G_C	1590 N



BEARING DRIVESHAFT, INC.

Static axial stiffness, preload class C	375 N/ μ m
Calculation factor f	1.18
Calculation factor f_1	0.98
Calculation factor f_{2A}	1
Calculation factor f_{2B}	1.04
Calculation factor f_{2C}	1.08
Calculation factor f_{HC}	1.01
Calculation factor e	0.68
Calculation factor (single, tandem) Y_2	0.87
Calculation factor (single, tandem) Y_0	0.38
Calculation factor (single, tandem) X_2	0.41
Calculation factor (back-to-back, face-to-face) Y_1	0.92
Calculation factor (back-to-back, face-to-face) Y_2	1.41
Calculation factor (back-to-back, face-to-face) Y_0	0.76
Calculation factor (back-to-back, face-to-face) X_2	0.67
Mass bearing	0.48 kg