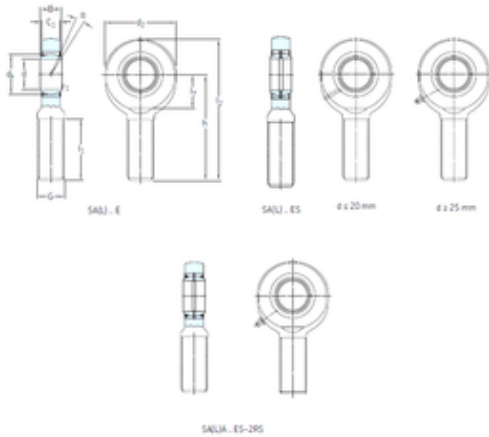




BEARING DRIVESHAFT, INC.



SKF SA25ES plain bearings

Bearing No. SA25ES

| | |
|-------------------------------|--------------------|
| Bore Diameter | 25 mm |
| d | 25 mm |
| d2 | 65 mm |
| dk | 35,5 mm |
| h | 94 mm |
| l1 min. | 53 mm |
| l2 max. | 128 mm |
| l7 min. | 30 mm |
| r1 min. | 0,6 mm |
| B | 20 mm |
| C1 | 18 mm |
| Thread (G) | M24x2 Tolerance 6g |
| Angle | 7 ° |
| Weight | 0,53 Kg |
| Basic dynamic load rating (C) | 48 kN |

SA25ES Bearing 2D drawings and 3D CAD models