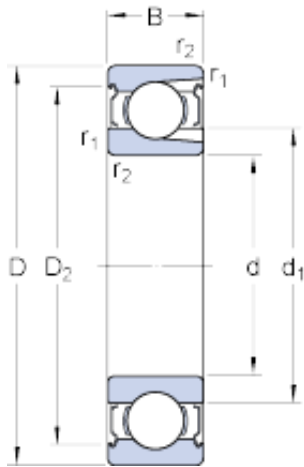




BEARING DRIVESHAFT, INC.



95 mm x 170 mm x 32 mm SKF 219-2Z deep groove ball bearings

Bearing No. 219-2Z

219-2Z Bearing 2D drawings and 3D CAD models

Size	170x95x32 mm
Bore Diameter	170 mm
Outer Diameter	95 mm
Width	32 mm
d	95 mm
D	170 mm
B	32 mm
d ₁	116.8 mm
D ₂	151.3 mm
r _{1,2} - min.	2.1 mm
d _a - min.	107 mm
d _a - max.	116 mm
D _a - max.	158 mm
r _a - max.	2 mm
Basic dynamic load rating - C	121 kN
Basic static load rating - C ₀	122 kN
Fatigue load limit - P _u	4.5 kN
Reference speed	6700 r/min
Limiting speed	4000 r/min
Calculation factor - k _r	0.04
d ₁	116.8 mm
D ₂	151.3 mm
r _{1,2} min.	2.1 mm
d _a min.	107 mm



BEARING DRIVESHAFT, INC.

d_a max.	116 mm
D_a max.	158 mm
r_a max.	2 mm
Basic dynamic load rating C	121 kN
Basic static load rating C_0	122 kN
Fatigue load limit P_u	4.5 kN
Calculation factor k_r	0.04
Mass bearing	2.7 kg