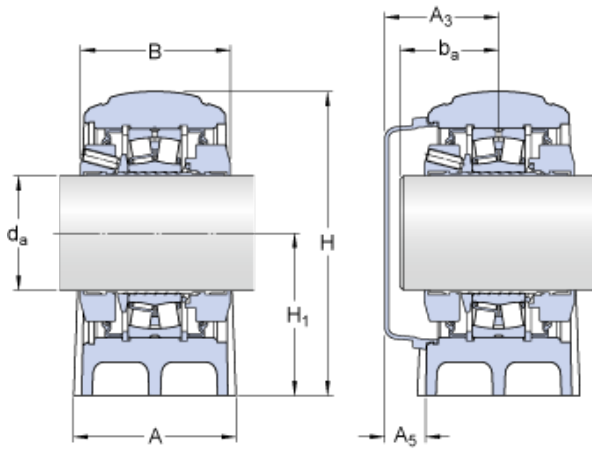




# BEARING DRIVESHAFT, INC.



## SKF SYNT 50 F bearing units

Bearing No. SYNT 50 F

Size	50x70x65 mm
Bore Diameter	50 mm
Outer Diameter	70 mm
Width	65 mm
$d_a$	50 mm
A	70 mm
B	65 mm
H	131 mm
$H_1$	70 mm
$H_2$	28 mm
J	210 mm
L	255 mm
H	24 mm
$N_1$	18 mm
$J_6$	234 mm
$J_7$	26 mm
$N_4$ - max.	8 mm
$A_3$	62 mm
$A_5$	29.5 mm
$b_a$ - min.	34 mm
$b_a$ - max.	55 mm
Basic dynamic load rating - C	104 kN
Basic static load rating - $C_0$	108 kN
Fatigue load limit - $P_u$	11.8 kN

SYNT 50 F Bearing 2D drawings and 3D CAD models



## BEARING DRIVESHAFT, INC.

Limiting speed	3300 r/min
Calculation factor - e	0.24
Calculation factor - $Y_1$	2.8
Calculation factor - $Y_2$	4.2
Diameter - $d_m$	70 mm
Basic Designation bearing	22210 E
$P_a$	15 kN
$P_{0^\circ}$	190 kN
$P_{55^\circ}$	330 kN
$P_{90^\circ}$	200 kN
$P_{120^\circ}$	130 kN
$P_{150^\circ}$	115 kN
$P_{180^\circ}$	140 kN
Mass bearing unit	5.8 kg
Category	Pillow Block Bearings
Inventory	0.0
Manufacturer Name	SKF
Minimum Buy Quantity	N/A
Weight / Kilogram	5.72
Product Group	M06110
Number of Mounting Holes	2
Mounting Method	Stepped Sleeve
Housing Style	2 Bolt Pillow Block
Rolling Element	Spherical Roller Bearing
Housing Material	Cast Iron
Expansion / Non-expansion	Non-expansion
Mounting Bolts	16 Millimeter
Relubricatable	Yes
Insert Part Number	22210 E
Seals	Trigard
Housing Configuration	1 Piece Solid



## BEARING DRIVESHAFT, INC.

Inch - Metric	Metric
Other Features	Double Row   Locating Bearing   With Grub Screw
Long Description	2 Bolt Pillow Block; 50MM Bore; 70MM Base to Center Height; Stepped Sleeve Mount; Spherical Roller Bearing; Relubricatable; Cast Iron; Trigard; Non-expansion
Category	Pillow Block
UNSPSC	31171511
Harmonized Tariff Code	8483.20.40.80
Noun	Bearing
Keyword String	Pillow Block
Manufacturer URL	<a href="http://www.skf.com">http://www.skf.com</a>
Manufacturer Item Number	SYNT 50 F
Weight / LBS	12.6
Bore	1.969 Inch   50 Millimeter
Bolt Spacing Maximum	0 Inch   0Millimeter
Length Thru Bore	2.559 Inch   65 Millimeter
Actual Bolt Center to Center	8.3 Inch   210Millimeter
Nominal Bolt Center to Center	8.3 Inch   210 Millimeter
Base to Center Height	2.756 Inch   70 Millimeter
Bolt Spacing Minimum	0 Inch   0Millimeter
bore diameter:	50 mm
expansion type:	Expansion Bearing (Floating)
overall length:	255 mm
finish/coating:	Uncoated
overall height:	5.1570 in
radial dynamic load capacity:	23400 lbf



## BEARING DRIVESHAFT, INC.

mounting:	Two-Bolt Base
radial static load capacity:	24300 lbf
bearing type:	Spherical Roller
maximum rpm:	3300 RPM
bore type:	Round
lubrication type:	Lubrication Fitting
housing construction:	Split Pillow Block
operating temperature range:	+55 to +120 ° F
base to bore centerline:	2.7500 in
series:	SYNT
bolt center-to-center length:	8.2677 in
replacement bearing:	22210E
base width:	2.7559 in
$d_a$	50 mm
$H_1$	70 mm
$H_2$	28 mm
$N$	24 mm
$N_1$	18 mm
$A_3$	62 mm
$A_5$	29.5 mm
$b_a$ min.	34 mm
$b_a$ max.	55 mm
$J_6$	234 mm
$J_7$	26 mm
$N_4$ max.	8 mm
Basic dynamic load rating C	104 kN
Basic static load rating $C_0$	108 kN
Fatigue load limit $P_u$	11.8 kN
Calculation factor e	0.24
Calculation factor $Y_1$	2.8
Calculation factor $Y_2$	4.2
Bearing mean diameter $d_m$	70 mm



## BEARING DRIVESHAFT, INC.

$P_{0^\circ}$	190 kN
$P_{55^\circ}$	330 kN
$P_{90^\circ}$	200 kN
$P_{120^\circ}$	130 kN
$P_{150^\circ}$	115 kN
$P_{180^\circ}$	140 kN
$P_a$	15 kN
Attachment bolt diameter G	16 mm
Tightening torque for attachment bolts	200 N · m
Grub screws	3 x M 6
Tightening torque for grub screws	8 N · m
Grease quantity for relubrication	4 g