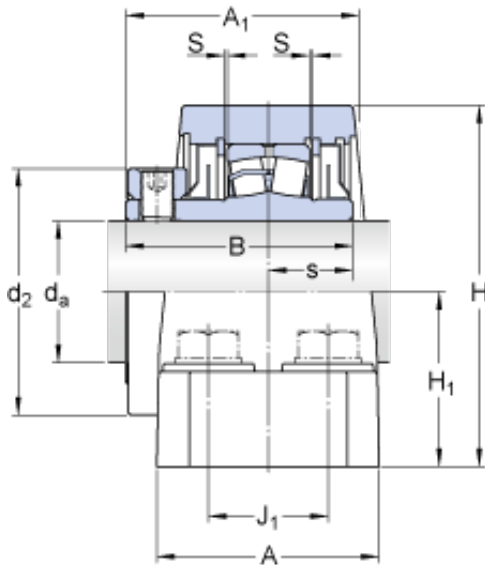




BEARING DRIVESHAFT, INC.



FSYE 3 1/2-18 Bearing 2D drawings and 3D CAD models

SKF FSYE 3 1/2-18 bearing units

Bearing No. FSYE 3 1/2-18

Size	88.9x130.175x114.3 mm
Bore Diameter	88,9 mm
Outer Diameter	130,175 mm
Width	114,3 mm
d_a	88.9 mm
d_2	130.175 mm
A	114.3 mm
A_1	123.825 mm
B	102.394 mm
H	190.5 mm
H_1	95.25 mm
H_2	57.15 mm
L	355.6 mm
J - max.	298.45 mm
J - min.	266.7 mm
J_1	60.325 mm
s	36.512 mm
S	0.794 mm
Basic dynamic load rating - C	253 kN
Limiting speed	2600 r/min
d_a	88.9 mm
d_2	130.175 mm
A_1	123.825 mm
H_1	95.25 mm
H_2	57.15 mm



BEARING DRIVESHAFT, INC.

J max.	298.45 mm
J min.	266.7 mm
J ₁	60.325 mm
Basic dynamic load rating C	253 kN
Mass bearing unit	16.6 kg
Attachment bolt diameter G	19.05 mm