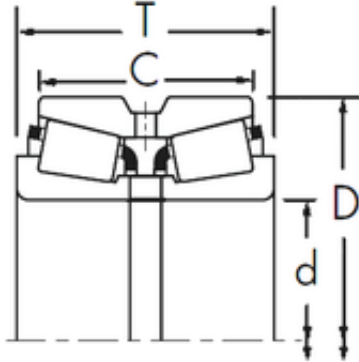




# BEARING DRIVESHAFT, INC.



Timken  
HM231149/HM231111CD+HM231149XB  
tapered roller bearings

Bearing No. HM231149/HM231111CD+HM231149XB

Size	149.225x236.538x131.762 mm
Bore Diameter	149,225 mm
Outer Diameter	236,538 mm
Width	131,762 mm
d	149,225 mm
D	236,538 mm
T	131,762 mm
C	106,362 mm
R	3,5 mm
r	1,5 mm

HM231149/HM231111CD+HM231149XB Bearing 2D drawings and 3D CAD models