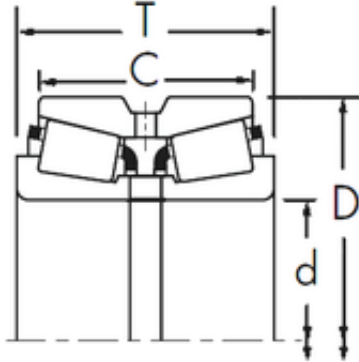




BEARING DRIVESHAFT, INC.



Timken

LM654642/LM654610CD+LM654642XC tapered roller bearings

Bearing No. LM654642/LM654610CD+LM654642XC

Size	279.982x380.898x139.7 mm
Bore Diameter	279,982 mm
Outer Diameter	380,898 mm
Width	139,7 mm
d	279,982 mm
D	380,898 mm
T	139,7 mm
C	107,95 mm
R	3,5 mm
r	1,5 mm

LM654642/LM654610CD+LM654642XC Bearing 2D drawings and 3D CAD models