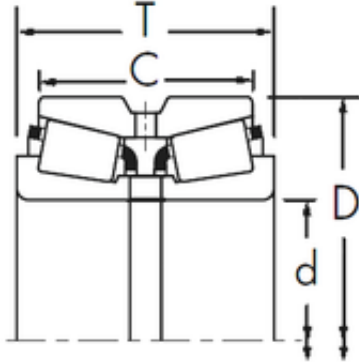




## BEARING DRIVESHAFT, INC.

Timken 94700/94118D+X6S-94700 tapered roller bearings

Bearing No. 94700/94118D+X6S-94700



94700/94118D+X6S-94700 Bearing 2D drawings and 3D CAD models

Size	177.8x298.45x142.875 mm
Bore Diameter	177,8 mm
Outer Diameter	298,45 mm
Width	142,875 mm
d	177,8 mm
D	298,45 mm
T	142,875 mm
C	111,125 mm
R	7 mm
r	1,5 mm