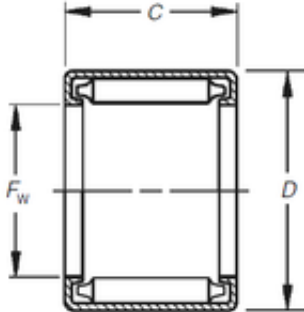




BEARING DRIVESHAFT, INC.

Timken B-95 needle roller bearings



Bearing No. B-95

Size	14.288x19.05x7.92 mm
Bore Diameter	14,288 mm
Outer Diameter	19,05 mm
Width	7,92 mm
Fw	14,288 mm
D	19,05 mm
C	7,92 mm
Weight	0,006 Kg
Basic dynamic load rating (C)	5,74 kN
Basic static load rating (C0)	8,32 kN
(Grease) Lubrication Speed	3300 r/min

B-95 Bearing 2D drawings and 3D CAD models