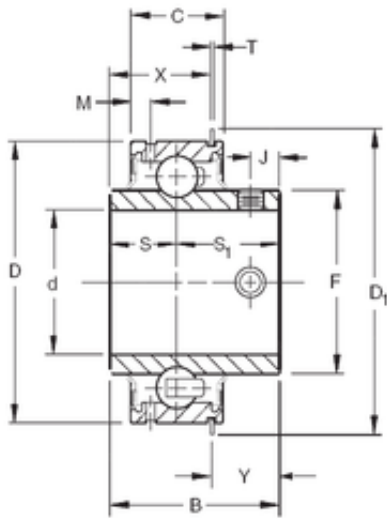




BEARING DRIVESHAFT, INC.



58,7375 mm x 130 mm x 77,79 mm Timken
ER47 deep groove ball bearings

Bearing No. ER47

Size	58.7375x130x77.79 mm
Bore Diameter	58,7375 mm
Outer Diameter	130 mm
Width	77,79 mm
d	58,7375 mm
D	130 mm
B	77,79 mm
C	38,1 mm
Y	33,02 mm
S1	44,45 mm
X	44,78 mm
D1	139,7 mm
F	91,68 mm
J	11,91 mm
M	6,35 mm
S	33,33 mm
T	2,8 mm
Thread (G)	M12X1,75

ER47 Bearing 2D drawings and 3D CAD models