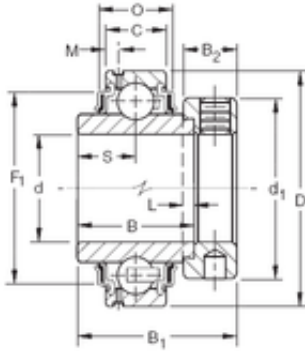




BEARING DRIVESHAFT, INC.

G-KRR Two Seals
Cylindrical O.D.



50 mm x 90 mm x 49,21 mm Timken GE50KRR
deep groove ball bearings

Bearing No. GE50KRR

Size	50x90x49.21 mm
Bore Diameter	50 mm
Outer Diameter	90 mm
Width	49,21 mm
d	50 mm
D	90 mm
B	49,21 mm
C	23 mm
P	27,51 mm
O	77,7 mm
d1	69,9 mm
B1	4,7 mm
B2	18,3 mm
L	4,8 mm
S	24,6 mm
F1	62,7 mm
Weight	1,016 Kg
Basic dynamic load rating (C)	39,2 kN

GE50KRR Bearing 2D drawings and 3D CAD models